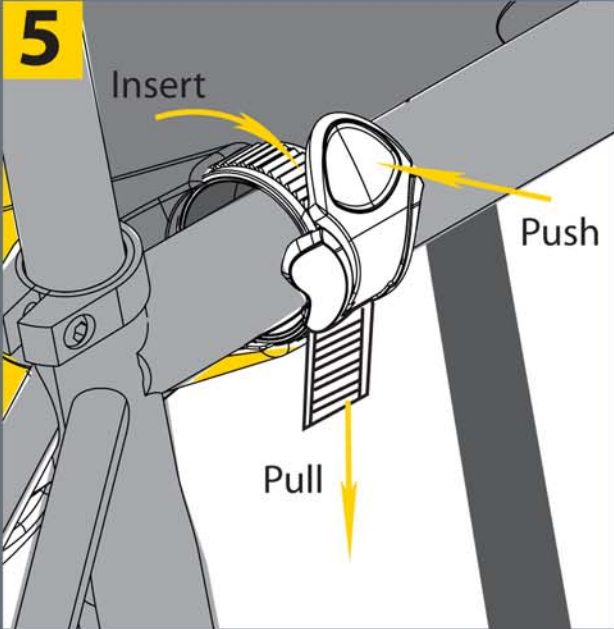
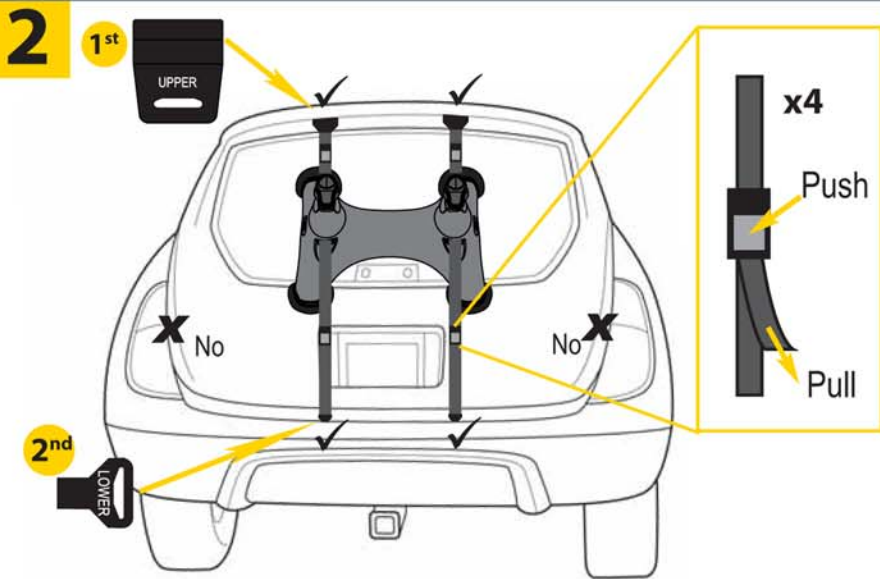
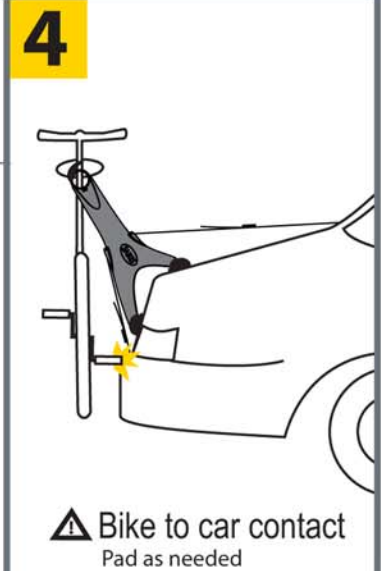
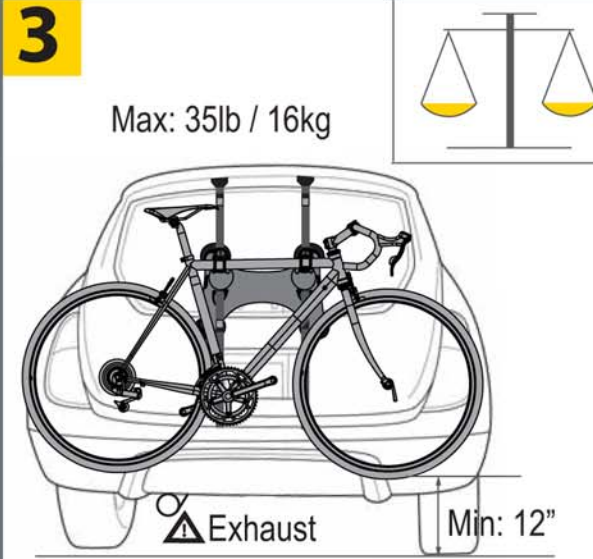
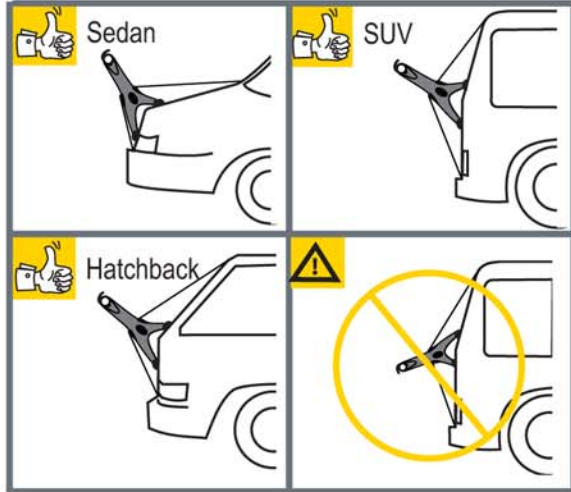


1 Select type of vehicle and check Saris Fit Guide for approved fits. www.saris.com



Saris Cycling Group
5253 Verona Road
Madison WI 53711
800.783.7257
www.saris.com
Patents Issued and Pending
19137 10/09

To activate your warranty visit www.saris.com



CAUTIONS:

- 1) All requirements for compatibility/fit as stated in the current Saris vehicle/carrier compatibility guide must be followed. (Available at any Saris dealer or online at www.saris.com). If your vehicle is not listed or you have any questions, please call our customer service at 800-783-7257.
- 2) Solo is not intended for use with tandem or recumbent bicycles.
- 3) Read and follow instructions carefully. Save owner's manual for future reference or parts information.
- 4) Replace any mounting strap at the first sign of wear. Replacement parts are available through your local Saris dealer or call 1-800-783-7257.
- 5) Make sure bike tires are not directly behind exhaust pipe.
- 6) Never place more than one bicycles (maximum weight 35 lbs) on carrier. Secure properly and adjust for even load distribution.
- 7) Do not mount to any type of trailer or recreational vehicle.
- 8) No part of carrier, including straps, should ever come in contact with spoiler.
- 9) Do not open rear deck (trunk) with carrier installed.
- 10) This carrier is not recommended for off-road use or for use at speed exceeding 65 mph.
- 11) Remove carrier from vehicle when not in use.
- 12) When cleaning rack, use only water soluble cleaners. Do not take rack through car wash.
- 13) Rear window wipers may not be usable while carrier is attached to vehicle.
- 14) It's the end users responsibility to ensure that use of this product meets all local and state laws.
- 15) To prevent potential damage, secure the front tires of bicycles (part number 3033 recommended).

WARNING AND DISCLAIMER:

This carrier has been designed to carry bicycles on specific vehicles. Before installation, user must read and follow current Saris Fit Guide (available through Saris dealer) recommendations and enclosed instructions. Fit recommendations are based on vehicle's standard features; optional features may affect the fit recommendations. User must attach carrier correctly to the vehicle, check its attachment before each use, and inspect carrier parts for wear. Carrier's attachment to the vehicle is critical and beyond the control of the manufacturer. Manufacturer and seller expressly disclaim any and all liability for personal injury, property damage or loss, whether direct, indirect, or incidental, resulting from the incorrect attachment, improper use, inadequate maintenance, or neglect of this carrier.

WARRANTY:

Saris Cycling Group, Inc. ("Saris") warrants that your Saris product will be free from defects in materials and workmanship for as long as you own the product. This warranty only extends to the original consumer buyer. This warranty does not apply to parts that have worn out through normal use or been damaged through misuse, abuse, neglect, accident or unauthorized modifications. ANY IMPLIED WARRANTIES WHICH THE BUYER MAY HAVE ARE LIMITED IN DURATION TO THE TIME THAT THE ORIGINAL CONSUMER BUYER OWNS THE PRODUCT. Some states do not allow limitations on how long an implied warranty lasts, so the above limitation may not apply to you. At its option, Saris will repair or replace, or refund the purchase price of, any Saris product which is defective or fails to conform with this warranty under normal use and service. To obtain service under this warranty, return the defective Saris Product or part, freight prepaid, to Saris at the address below. Please contact our customer service department prior to return to get a return authorization number. Repair or replacement of a defective Saris product or refund of the purchase price, shall be the sole remedy of the buyer under this warranty, and in no event shall Saris be liable for incidental or consequential damages, losses or expenses. Some states do not allow the exclusion or limitation of incidental or consequential damages, so the above limitation or exclusion may not apply to you. This warranty gives you specific legal rights, and you may also have other rights which vary from state to state.