



# Installation Instructions

Page 1 of 3

1/17/03

Group Description

Part Number

Product  
Development

## SUBJECT

### Auxiliary Audio Input Kit

## MODEL

MINI Cooper (R50):	Vehicle Production 09/2002 - On
MINI Cooper S (R53):	Vehicle Production 09/2002 - On

These instructions were developed especially for MINI vehicles and are not to be compared to any existing instructions for vehicles other than MINI. No methods other than those specified in this document are to be used to install any Auxiliary Audio Input adapter in MINI vehicles.

## PARTS INFORMATION

Reference Number	Description	Qty	MINI Part Number
1	AUX Input Installation Kit (MINI)	1	82 11 0 153 367

### Installation Kit Contents

Part Description	QTY	MINI Part Number
AUX Audio Cable (MINI)	1	N/A
Faceplate	1	N/A
Mounting Screws	2	65 12 6 919 475
Cable ties (3mm x 104mm)	3	N/A
Installation Instructions	1	84 11 0 302 889

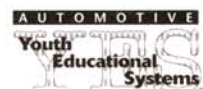
## REQUIRED TOOLS

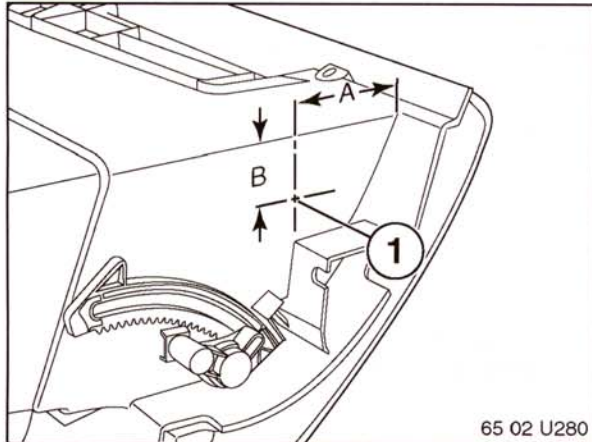
Common Hand tools, Metric ruler, Drill, 2mm, 10mm & 1/8" drill bits

**AVERAGE INSTALLATION TIME:** 0.5 hours

Please initial and route to the following for information before filing										
X	Service Manager		X	Warranty		X	Service Technicians - Initial Below			
X	Service Advisor			Parts Mgr.						
X	Service Advisor			Body Shop						
X	Shop Foreman			PDI Dept.						

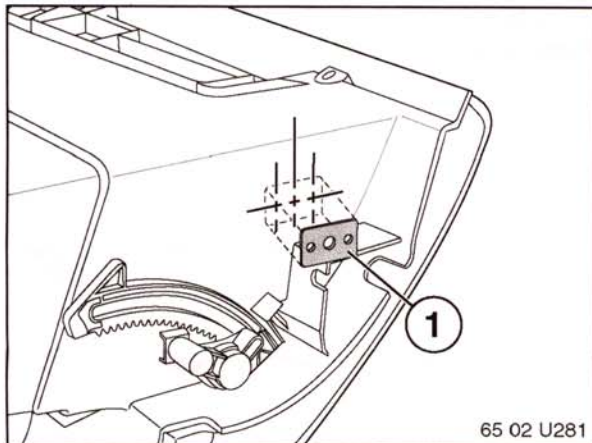
★ ★ **FIX IT RIGHT THE FIRST TIME, ON TIME, EVERY TIME** ★ ★



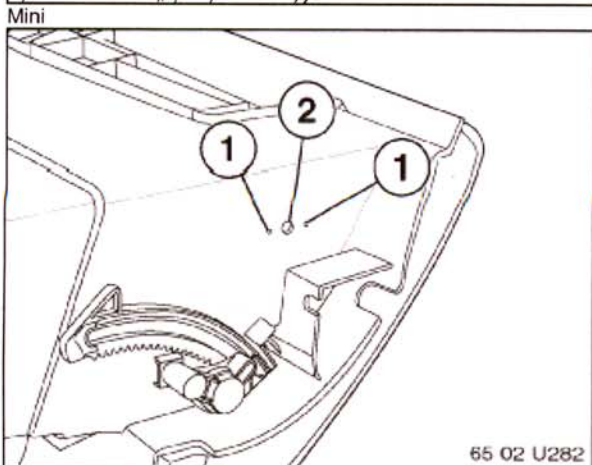
**PROCEDURE:**

1. Remove radio from center console per instructions found in TIS.
2. Remove glovebox assembly.
3. On Left side of glovebox assembly locate and mark this point (1).

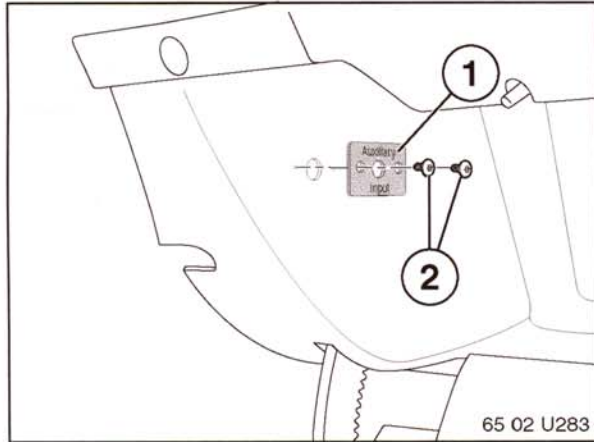
A = 6.0 cm  
B = 3.0 cm



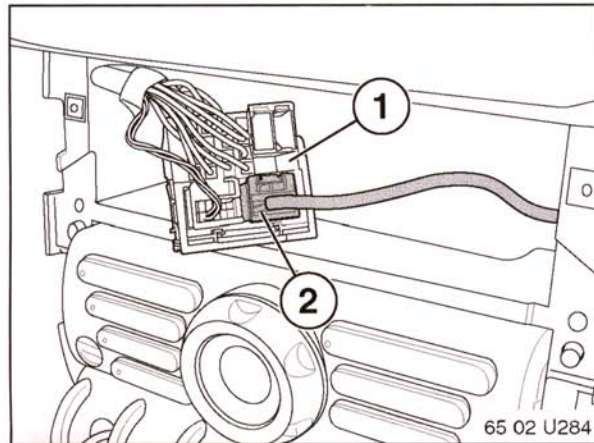
4. Using Auxiliary Input faceplate (1) as a template, line up center hole of faceplate against point marked in step 3.
5. Mark the center point of the 2 outer holes.



6. Drill 2mm hole in locations (1)&(2).
7. Expand center hole (2) with a 10mm drill bit.



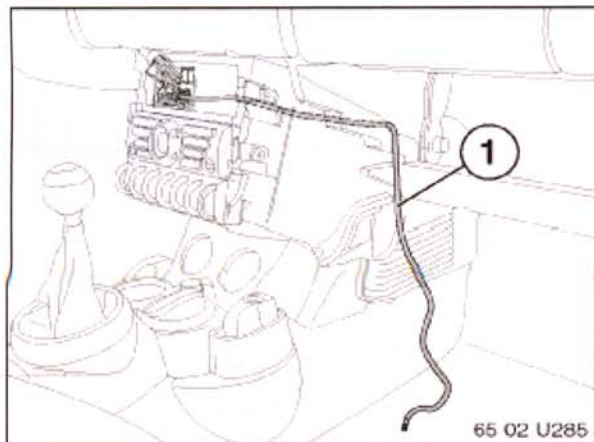
8. Mount Auxiliary Input faceplate (1) to interior of glovebox using provided screws (2).



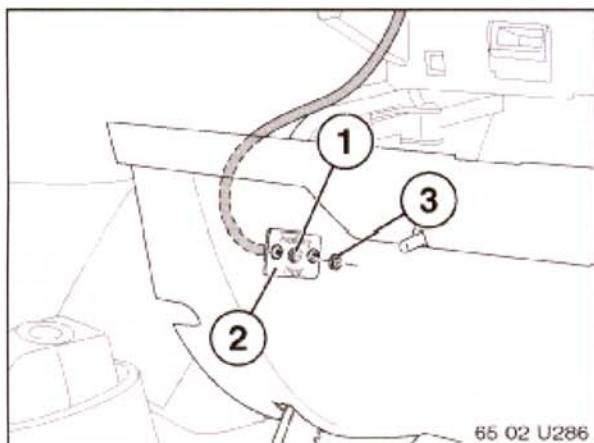
9. Locate radio harness (1) in center console.

10. Insert Auxiliary Input Connector in this location (2).

11. Feed Auxiliary Input Cable into center console.



12. Route Auxiliary Input Cable (1) down through center console to this position.



13. Insert Audio Jack (1) into faceplate (2) and secure with provided nut (3).

14. Reinstall glovebox assembly, removing slack from cable by pulling excess through radio mounting cavity. Secure excess cable below radio mounting location.

15. Reinstall radio and all components removed during installation.

16. Installation is complete. Test operation of system.