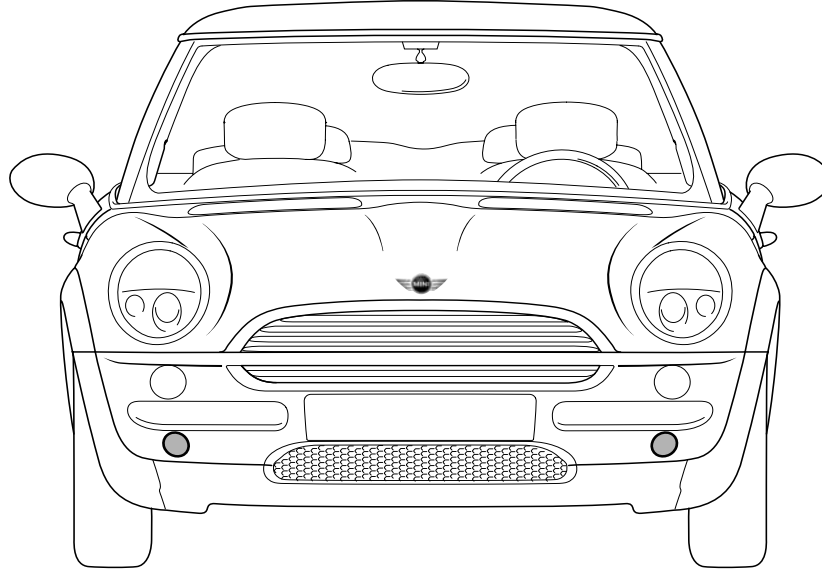




Parts and Accessories Installation Instructions



R50 0038 Z

Fog light retrofit kit MINI (R50)

The installation time is approx. 2 hours, but this may vary depending on the condition of the car and the equipment in it.

Retrofit kit: 63 17 0 029 757
63 17 0 029 797
63 17 0 029 799

Contents

Section	Page
Important information	3
1. Preparations	4
2. Parts list	5
3. Installation and cabling diagram for retrofit wiring harness.	6
4. Fog light retrofit kit wiring harness connection diagram	7
5. To install the fog lights	8
6. To install and connect the fog light wiring harness	9
7. Coding	12
8. Concluding work	13
9. Fog light circuit diagram	14

Important information

The retrofit kit is only for use within the dealership organisation.

Do not kink or damage the cables during the installation work since otherwise they may cause faults that can later only be identified by extensive additional work. The costs incurred as a result of this will not be reimbursed.

If the specified PIN chambers are occupied, bridges, double crimps or twin-lead terminals must be used.

Target group

The target group for these installation instructions is specialist personnel trained on MINI cars with specialist knowledge of vehicle electrical systems.

Work:

All servicing, repair and installation work on MINI cars is completed at your own risk.

All work is to be carried out using current MINI

- Repair manuals
- Circuit diagrams

in a rational order using the prescribed tools (special tools) and observing current health and safety regulations.

Required tools and equipment

Set of flat screwdrivers

Set of Philips screwdrivers

Torch

1/4 inch socket set

1/4 inch Torx socket set

Angle cutter

Combination pliers

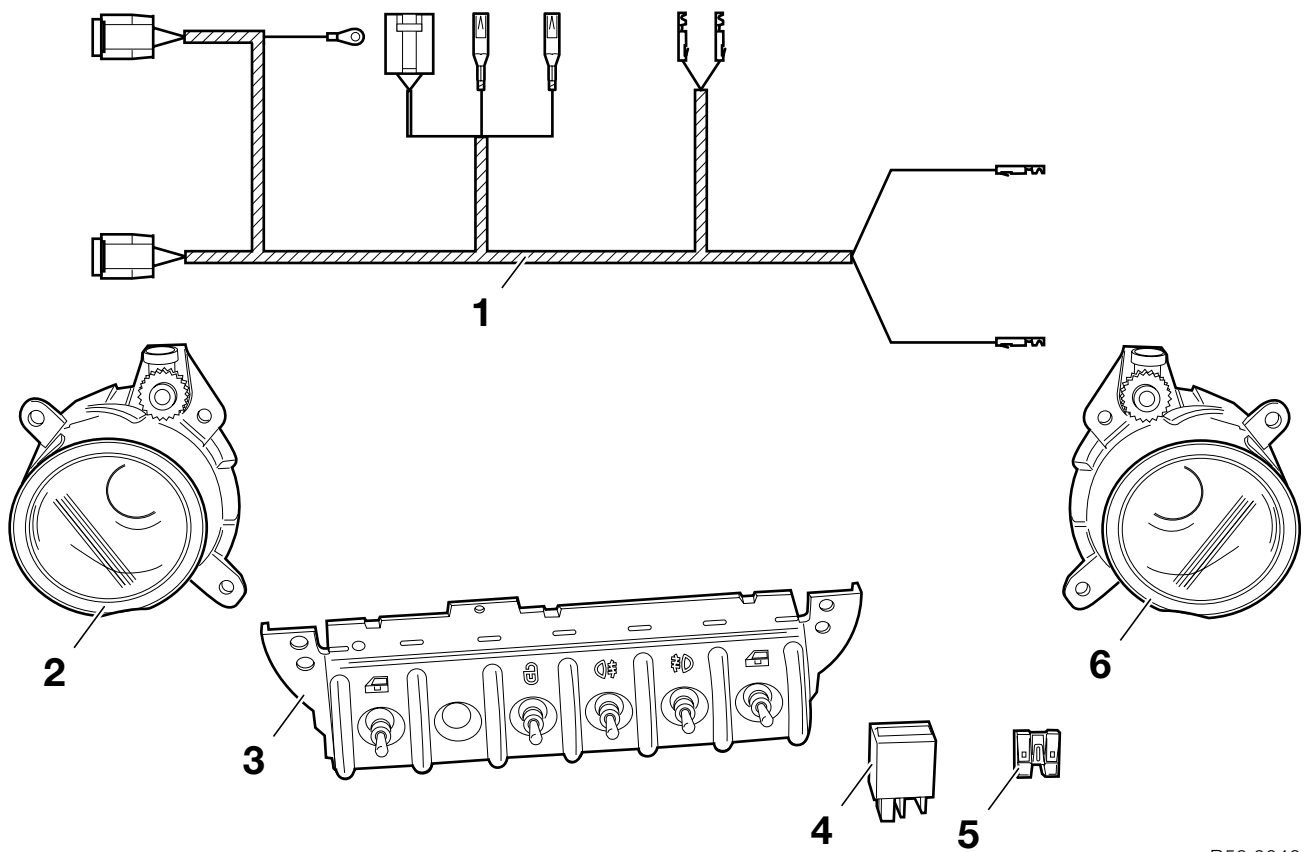
Drill

Twist drill 6 mm

1. Preparations

	TIS instruction No.
Disconnect the negative pole of the battery	12 00 ...
The following components must be removed first of all:	
Interior wheel arch on both sides	
Fuse holder III in the engine compartment	
Oddments box on the driver's and passenger's side	
Switch centre	
Right door sill strip	
Disconnect the base module from the right A pillar	

2. Parts list

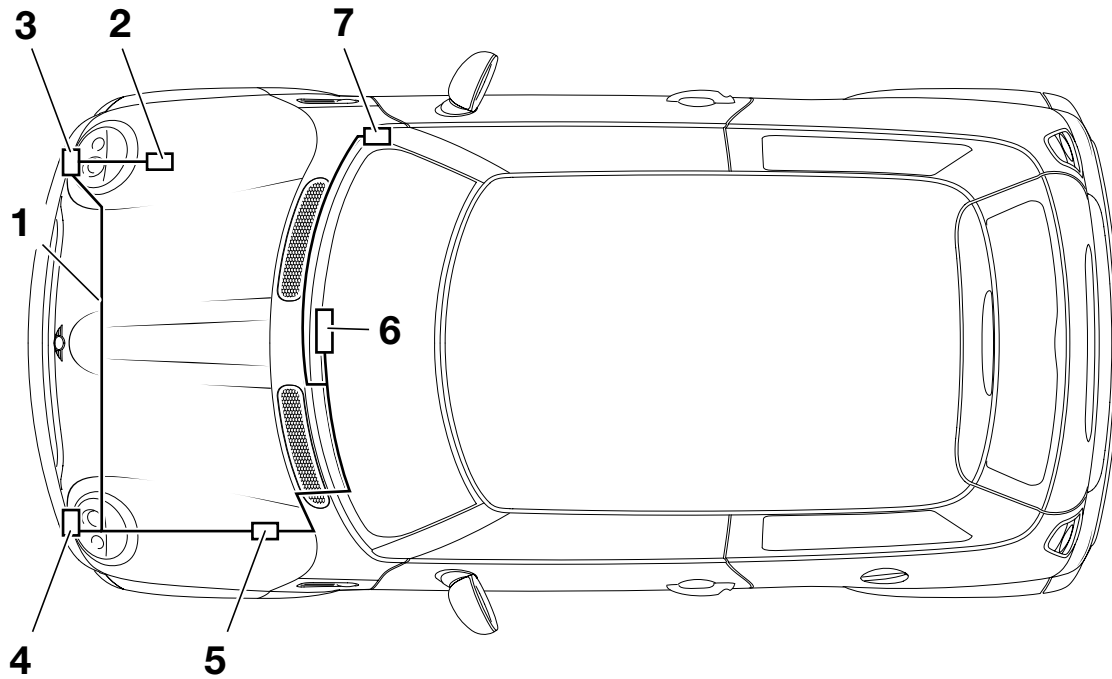


Legend

- 1 Fog light wiring harness
- 2 Fog light, right
- 3 Switch centre
- 4 Relay R6
- 5 Fuse F10 (15A)
- 6 Fog light, left

R50 0040 Z

3. Installation and cabling diagram for retrofit wiring harness

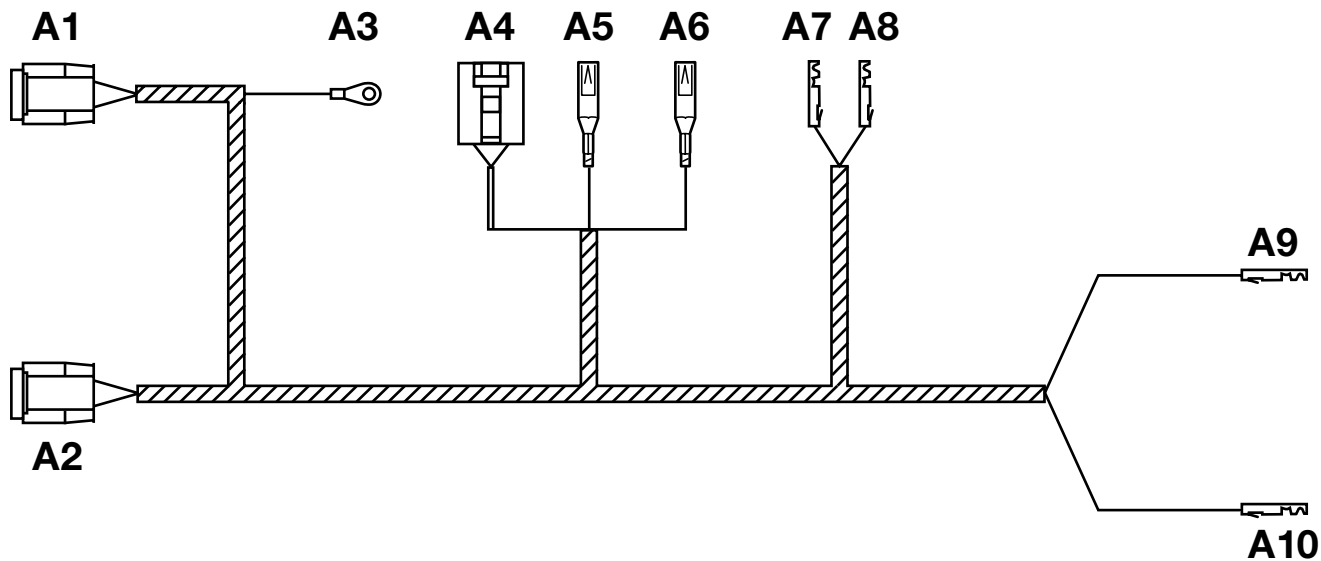


R50 0050 Z

Legend

- 1 Fog light wiring harness
- 2 Joint connector X165
- 3 Fog light, right
- 4 Fog light, left
- 5 Fuse holder III
- 6 Switch centre
- 7 Base module

4. Fog light wiring harness connection diagram



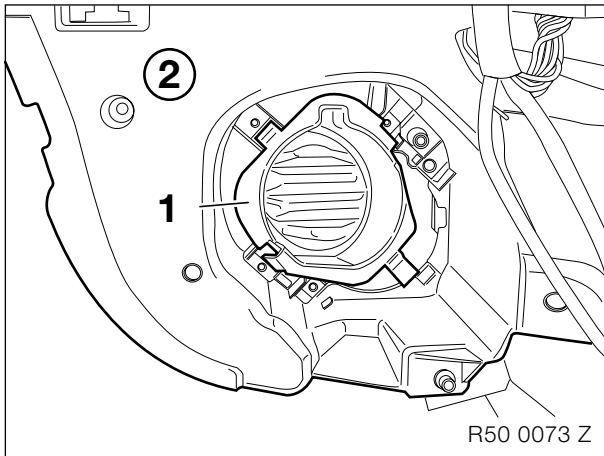
R50 0039 Z

Item	Description	Signal	Cable colour / Cross-section	Connection location in the car	Abbreviation / Slot
A	Fog light wiring harness	---	---	---	---
A1	GR 2-pin socket casing	---	---	To right fog light	X769
A2	GR 2-pin socket casing	---	---	To left fog light	X768
A3	Joint connector contact	Terminal 31	BR 1.0 mm ²	To the joint connector under the right bonnet catch	X165
A4	WS 4-pin socket casing	---	---	To fuse holder III	X4014
A5	Flat spring contact	Terminal 55V	GE/BR 0.75 mm ²	To fuse holder III	X4013 PIN 7
A6	Flat spring contact	Terminal 55 VRA	BR/GN 0.75 mm ²	To fuse holder III	X4010 PIN 6
A7	Flat spring contact	Terminal 55V	GE/BR 0.75 mm ²	To switch centre	X1879 PIN 17
A8	Flat spring contact	Terminal 55 VRA	GE/SW 0.5 mm ²	To switch centre	X1879 PIN 13
A9	Flat spring contact	Terminal 55 VRA	BR/GN 0.75 mm ²	To base module C	X254 PIN 40
A10	Flat spring contact	Terminal 55 VRA	GE/SW 0.5 mm ²	To base module D	X255 PIN 5

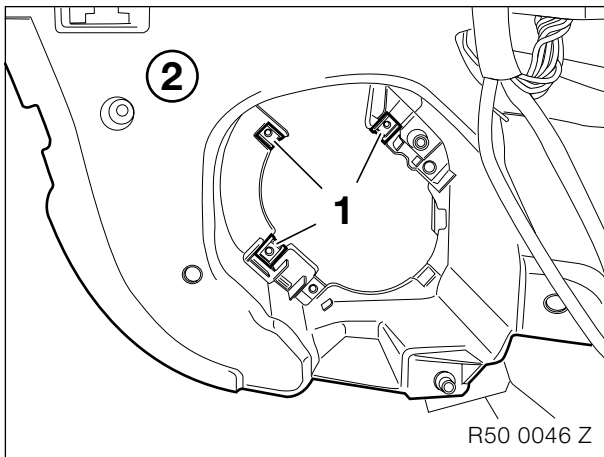
5. To install the fog lights



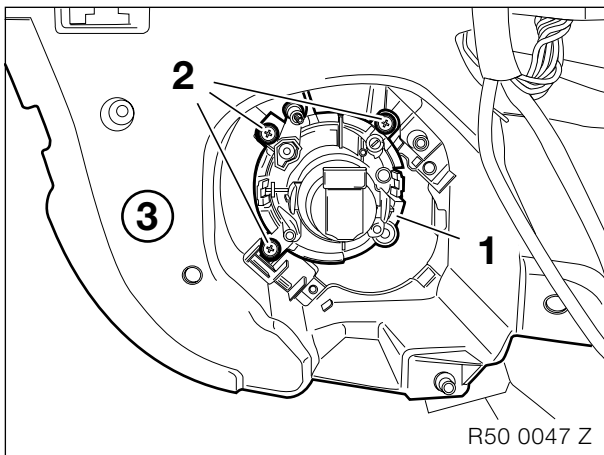
The procedure "To install the fog lights" is shown on the left-hand side of the car. Proceed in exactly the same way on the right. ◀



Unclip the existing covers (1) from the mounting (2).

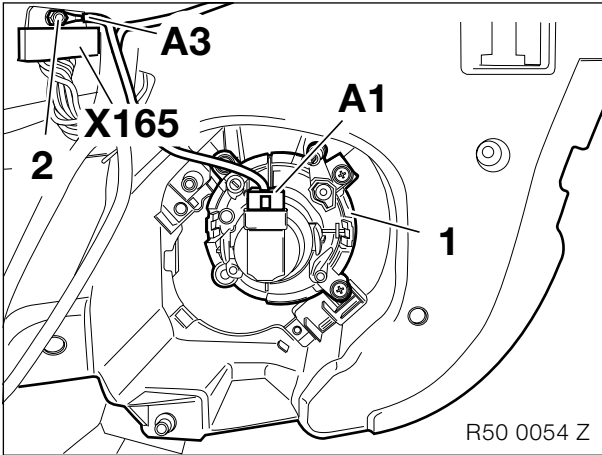


Insert the enclosed speed nuts (1) in the mounting (2) as shown.

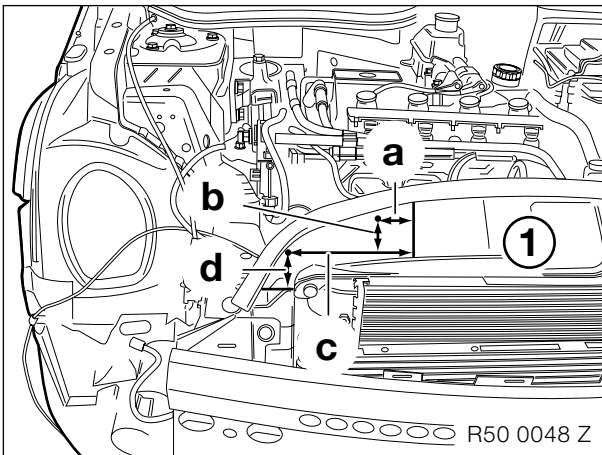


Screw the enclosed fog light (1) to the mounting (3) using Philips self-tapping screws 4.8 x 16 mm (2).

6. To install and connect the fog light wiring harness

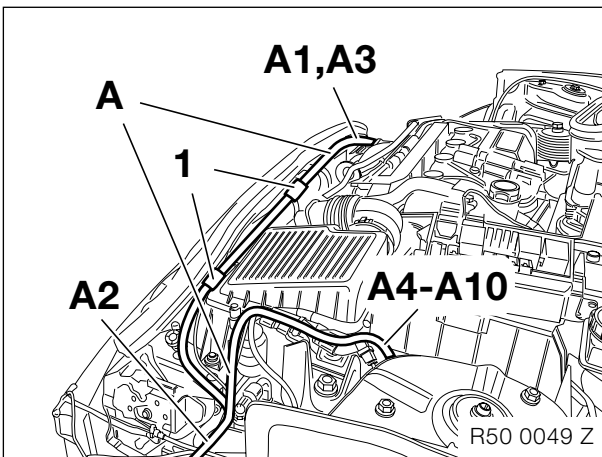


Connect branch **A1** to the right fog light (1).
Screw branch **A3** to the joint connector **X165** using the existing hexagonal nut (2).

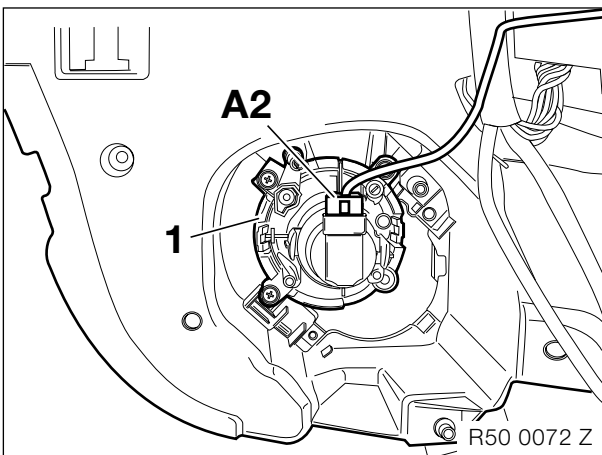


Mark dimensions **a-d** on the blower cover (1) and drill them with a 6 mm twist drill.
Insert the enclosed binders from the inside and secure the wiring harness **A** to them.

Dimension a: 45 mm
Dimension b: 55 mm
Dimension c: 170 mm
Dimension d: 30 mm

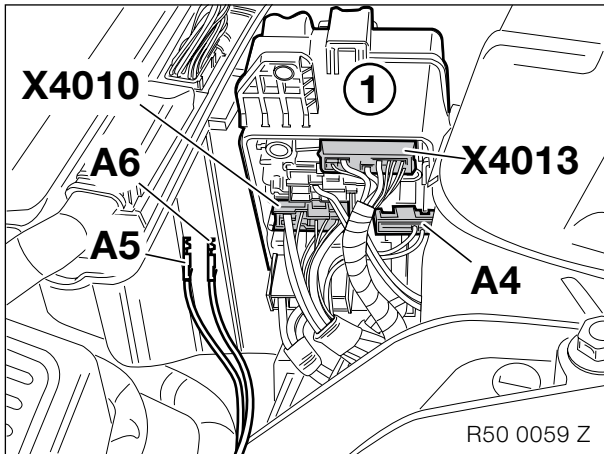


Lay wiring harness **A** along the blower wiring harness on the left-hand side of the car as shown, clip it into the securing clips (1) and secure it to the standard wiring harness with cable ties.



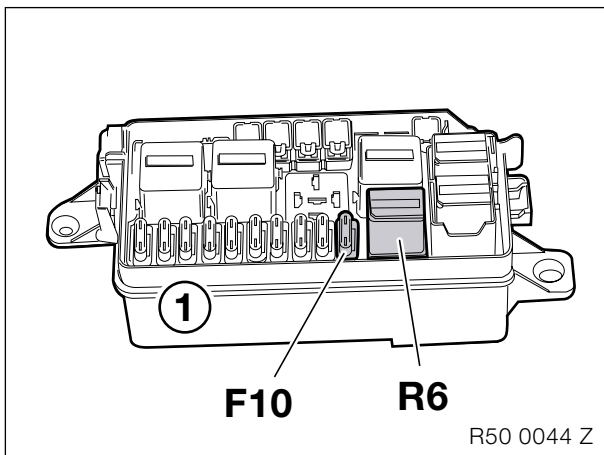
Connect branch **A2** to the left fog light (1).

6. To install and connect the fog light wiring harness

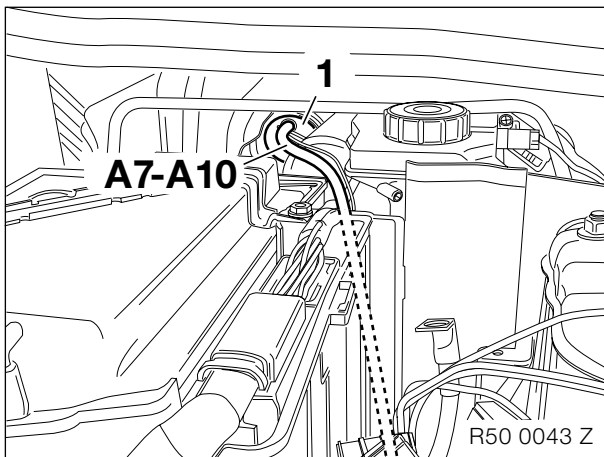


Connect branch **A5**, GE/BR cable, to the white 12-pin plug **X4013** in **PIN 7**.
 Connect branch **A6**, BR/GN cable, to the black 10-pin plug **X4010** in **PIN 6**.
 Connect branch **A4** to fuse holder III (1) in the position shown.

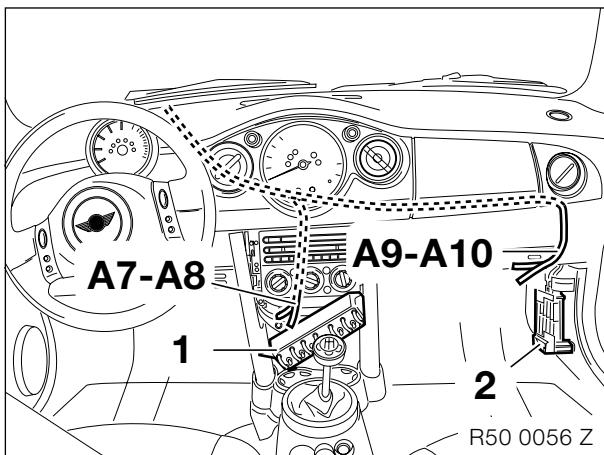
Reconnect all the plugs and cables and install the fuse holder III (1).



Insert the enclosed 15 A fuse into slot **F10** and insert relay **R6** into the fuse holder III (1) as shown.

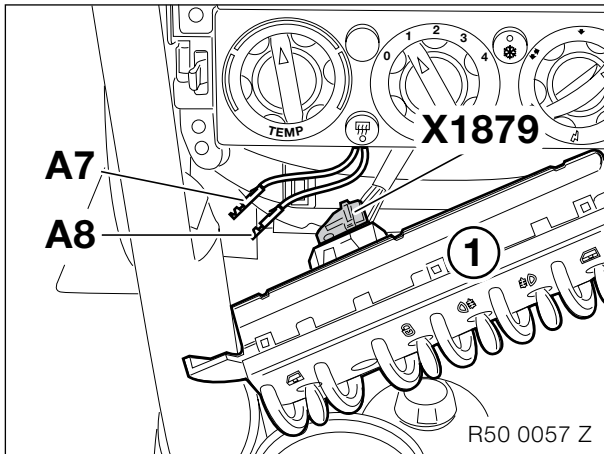


Lay branches **A7 - A10** on through the rubber grommet (1) into the interior.



Lay branches **A7 - A8** too the switch centre (1) and branches **A9 - A10** to the base module (2) on the right A pillar.
 Secure the cables to the standard wiring harness using cable ties.

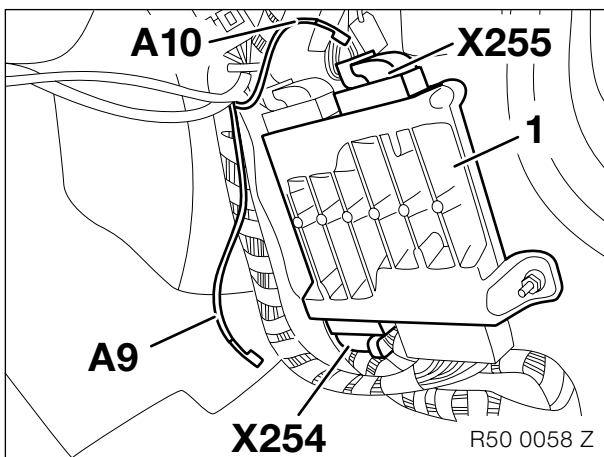
6. To install and connect the fog light wiring harness



Connect branch **A7**, GE/BR cable, to the black 18-pin plug **X1879** in the switch centre III (1) in **PIN 7**.

Connect branch **A8**, GE/SW cable, to the black 18-pin plug **X1879** in the switch centre III (1) in **PIN 3**.

Connect plug **X1879** to the enclosed switch centre III (1).



Disconnect plugs **X254** and **X255** from the base module (1).

Connect branch **A9**, GE/BR cable, to the white 54-pin plug **X254** on the base module (1) in **PIN 40**.

Connect branch **A10**, GE/SW cable, to the blue 54-pin plug **X255** on the base module (1) in **PIN 5**.

Reconnect plugs **X254** and **X255** to the base module (1).

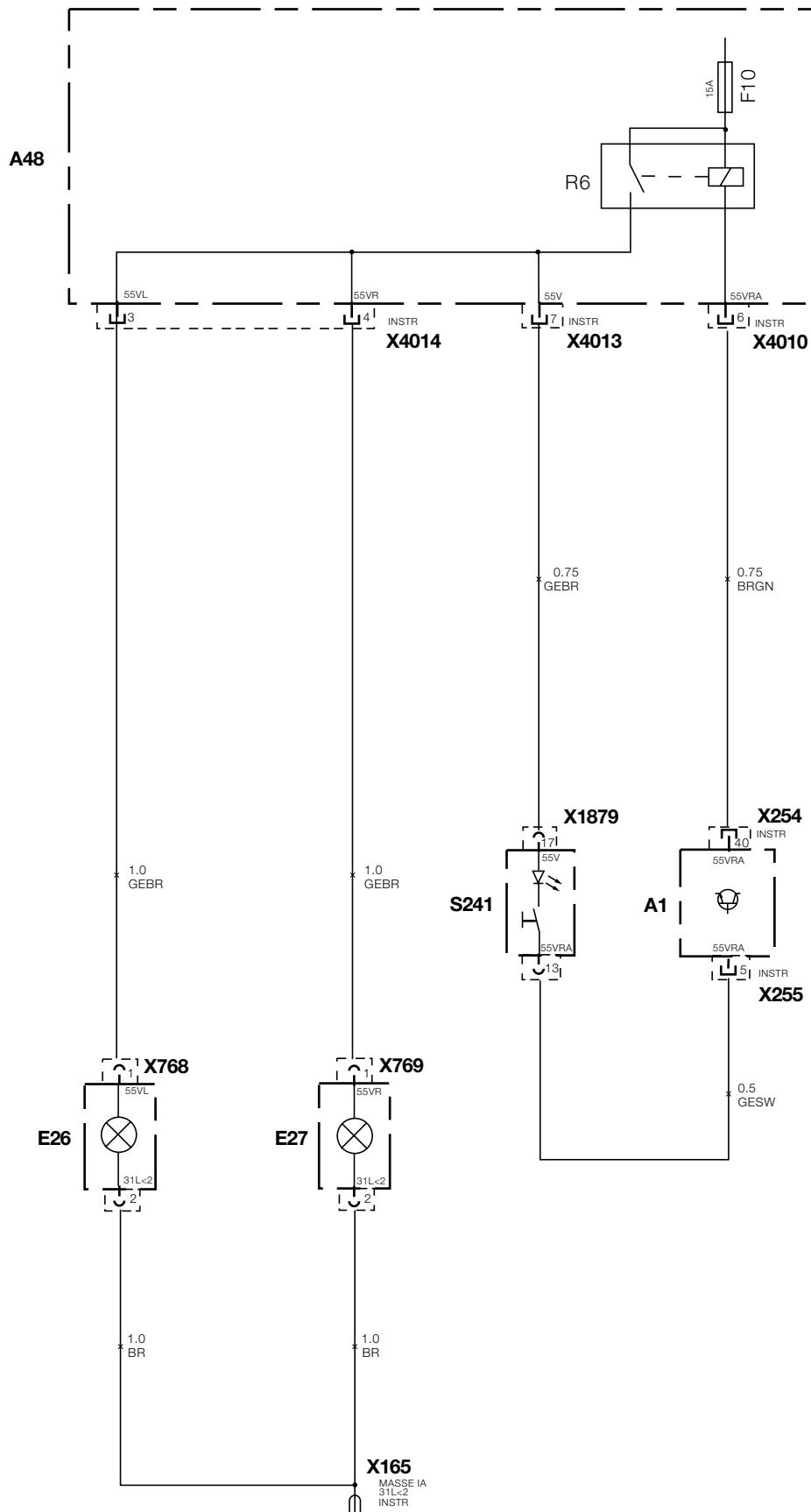
7 Coding

Retrofitting the fog lights is **not** coding relevant and **cannot** be diagnosed.

8. Concluding work

- Connect the battery
- Conduct a function test
- Assemble the car again following the instructions to dismantle it in reverse order.

9. Fog light circuit diagram



R50 0060 Z

9. Fog light circuit diagram

Legend

A1	Base module
A48	Fuse holder III
E26	Fog light, left
E27	Fog light, right
S241	Switch centre
X165	Earth IA
X254	Base module C
X255	Base module D
X768	Fog light, left
X769	Fog light, right
X1879	Switch centre
X4010	Fuse holder III
X4013	Fuse holder III
X4014	Fuse holder III

Cable colours

GN	green
BR	brown
GE	yellow
SW	black